



## ZHENGZHOU ORIENT POWER CO., LTD

1626, No.9, Sanquan Road, Zhengzhou, Henan, 450000 P.R.China

Tel/Fax:+86 37186097078, sales direct: +86 13673997131

orient@powerinsulator.com <http://www.powerinsulator.com>

### POWER FITTINGS

#### Protection Fittings:

Protection fittings: are used to restrain vibration of conductor and ground wire of overhead transmission lines, or to grade and to shield the insulator string of 330kv and above.

It includes:

- preformed armour rod
- stockbridge vibration dampers
- spacers, spacer damper
- grading and shielding rings
- counter weight
- arcing horn
- guy grip deadend
- side tie and distribute tie





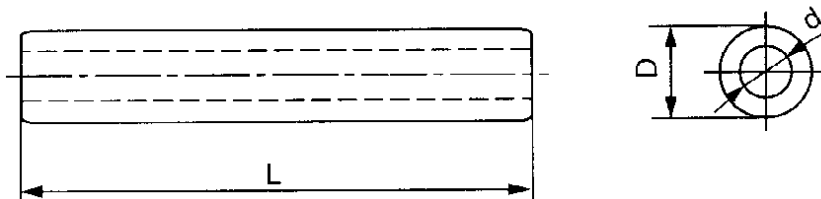
## ZHENGZHOU ORIENT POWER CO., LTD

1626, No.9, Sanquan Road, Zhengzhou, Henan, 450000 P.R.China

Tel/Fax:+86 37186097078, sales direct: +86 13673997131

orient@powerinsulator.com <http://www.powerinsulator.com>

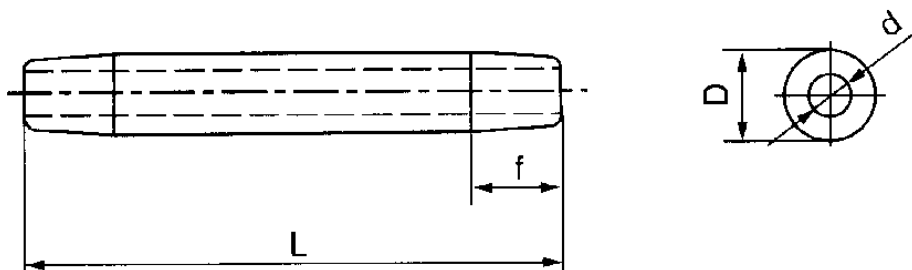
### Splicing Sleeve for Steel Wire (hydraulic compression type)



Catalog No.	Suitable Steel Wire	Dimensions (mm)			Slip Strength (KN)	Weight (Kg)
		D	d	L		
JY-35G	GJ-35	16	8.4	220	45	0.3
JY-50G	GJ-50	18	9.6	240	60	0.4
JY-70G	GJ-70	22	11.7	290	88	0.7
JY-100G	GJ-100	26	13.7	320	123	1.0
JY-150G	GJ-150	32	16.5	430	162	2.0

Made of hot-dip galvanized steel.

### Splicing Sleeve for AAC Conductor (hydraulic compression type)



Catalog No.	Suitable Conductor	Dimensions (mm)				Slip Strength (KN)	Weight (Kg)
		D	f	d	L		
JY-150L	LJ-150	30	20	17.0	280	22	0.4
JY-185L	LJ-185	32	20	19.0	310	27	0.5
JY-210L	LJ-210	34	20	20.0	330	31	0.6
JY-240L	LJ-240	36	20	21.5	350	34	0.7
JY-300L	LJ-300	40	25	24.0	390	45	1.
JY-400L	LJ-400	45	25	27.5	450	58	1.2
JY-500L	LJ-500	52	30	30.5	510	73	2.0
JY-630L	LJ-630	60	35	34.5	570	87	3.0
JY-800L	LJ-800	65	40	38.5	650	110	3.8

Made of aluminum.



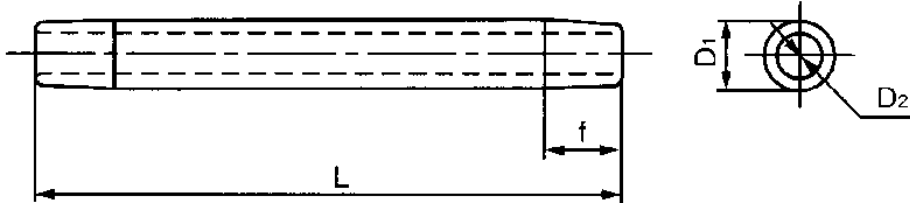
## ZHENGZHOU ORIENT POWER CO., LTD

1626, No.9, Sanquan Road, Zhengzhou, Henan, 450000 P.R.China

Tel/Fax:+86 37186097078, sales direct: +86 13673997131

orient@powerinsulator.com http://www.powerinsulator.com

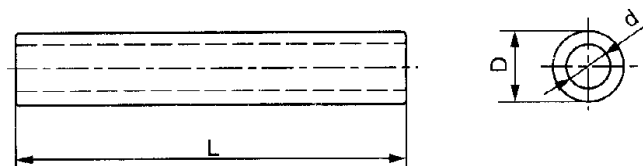
### Splicing Sleeve for Insulated Overhead Cable (ABC)



Catalog No.	Suitable Conductor	Dimensions (mm)				Slip Strength (KN)	Weight (Kg)
		D <sub>1</sub>	D <sub>2</sub>	f	L		
JY-35LY	JKLYJ-35	20	7.6	15	130	4.9	0.10
JY-50LY	JKLYJ-50	20	9.0	15	140	6.7	0.10
JY-70LY	JKLYJ-70	22	11.0	15	170	9.8	0.13
JY-95LY	JKLYJ-95	24	12.5	15	190	13.0	0.17
JY-120LY	JKLYJ-120	26	14.0	15	210	16.5	0.22
JY-150LY	JKLYJ-150	28	15.5	20	240	20.0	0.28
JY-185LY	JKLYJ-185	32	17.0	20	260	25.4	0.40
JY-240LY	JKLYJ-240	36	19.5	20	290	33.0	0.50

Made of aluminum. Note: the material for insulation can be supplied.

### Splicing Sleeve for Steel Wire (explosive overlap joint)



Catalog No.	Suitable Steel Wire	Dimensions (mm)			Slip Strength (KN)	Weight (Kg)
		D	d	L		
JBD-35G	GJ-35	22	16	110	45	0.2
JBD-50G	GJ-50	25	17	130	60	0.3
JBD-70G	GJ-70	28	20	150	88	0.4
JBD-100G	GJ-100	32	23	170	123	0.6

Made of hot-dip galvanized steel.



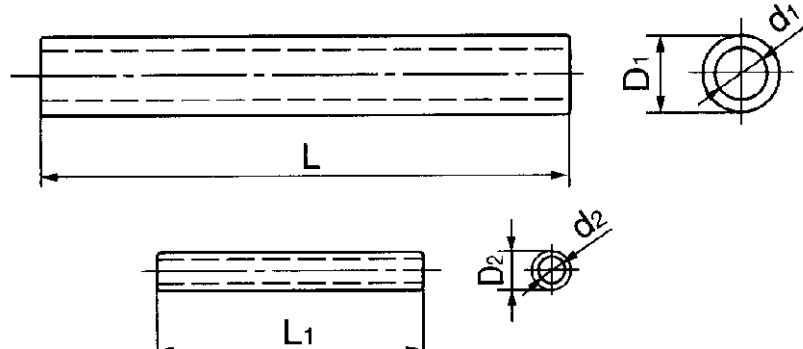
# ZHENGZHOU ORIENT POWER CO., LTD

1626, No.9, Sanquan Road, Zhengzhou, Henan, 450000 P.R.China

Tel/Fax:+86 37186097078, sales direct: +86 13673997131

orient@powerinsulator.com <http://www.powerinsulator.com>

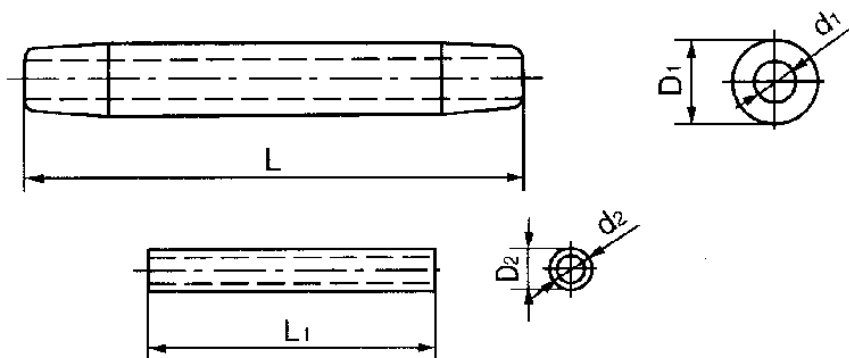
## Splicing Sleeve for ACSR Conductor (explosive overlap joint)



Catalog No.	Suitable Conductor	Dimensions(mm)						Slip Strength (KN)	Weight (Kg)
		D <sub>1</sub>	D <sub>2</sub>	d <sub>1</sub>	d <sub>2</sub>	L	L <sub>1</sub>		
JYB-300/40	LGJ-300/40	40	22	25.5	17	430	120	87	1.1
JYB-300/50	LGJ-300/50	40	22	26.0	17	450	140	98	1.1
JYB-300/70	LGJ-300/70	42	24	27.0	19	510	160	122	1.4
JYB-400/35	LGJ-400/35	45	24	29.0	19	510	120	99	1.4
JYB-400/50	LGJ-400/50	45	24	29.5	19	510	140	117	1.5
JYB-400/65	LGJ-400/65	48	26	29.5	21	520	160	128	1.8
JYB-400/95	LGJ-400/95	48	28	31.0	22	550	170	163	1.9
JYB-500/65	LGJ-500/65	52	24	32.5	19	560	160	146	2.2

The outer sleeve are made of aluminum, inner sleeve is made of hot-dip galvanized steel.

## Splicing Sleeve for ACSR Conductor (hydraulic overlap joint)





# ZHENGZHOU ORIENT POWER CO., LTD

1626, No.9, Sanquan Road, Zhengzhou, Henan, 450000 P.R.China

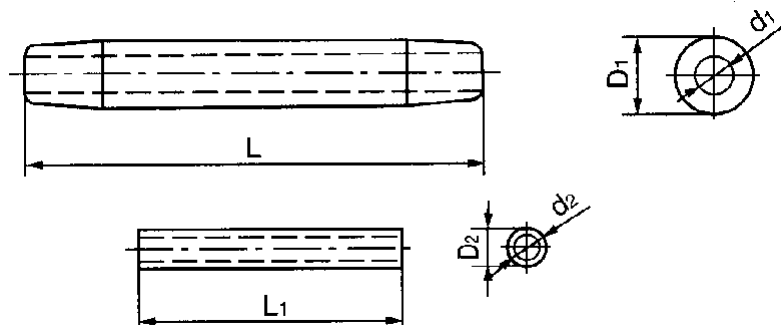
Tel/Fax:+86 37186097078, sales direct: +86 13673997131

orient@powerinsulator.com http://www.powerinsulator.com

Catalog No.	Suitable Conductor	Dimensions(mm)						Slip Strength (KN)	Weight (Kg)
		D <sub>1</sub>	D <sub>2</sub>	L <sub>1</sub>	L <sub>2</sub>	d <sub>1</sub>	d <sub>2</sub>		
JY-240/30	LGJ-240/30	36	16	570	170	23.0	7.9	70	1.28
JY-240/40	LGJ-240/40	36	16	590	190	23.0	8.7	80	1.33
JY-240/55	LGJ-240/55	36	20	640	230	24.0	10.2	100	1.56
JY-300/15	LGJ-300/15	40	14	560	120	24.5	5.4	65	1.50
JY-300/20	LGJ-300/20	40	14	580	140	25.0	6.3	70	1.52
JY-300/25	LGJ-300/25	40	14	600	160	25.0	7.2	80	1.58
JY-300/40	LGJ-300/40	40	16	640	190	25.5	8.5	90	1.70
JY-300/50	LGJ-300/50	40	18	660	210	26.0	9.6	100	1.79
JY-300/70	LGJ-300/70	42	22	710	260	26.5	11.5	120	2.09
JY-400/20	LGJ-400/20	45	14	580	140	28.5	6.5	85	2.10
JY-400/25	LGJ-400/25	45	14	660	160	28.5	7.3	90	2.12
JY-400/35	LGJ-400/35	45	16	680	180	28.5	8.2	100	2.25
JY-400/50	LGJ-400/50	45	20	730	220	29.5	9.9	120	2.48
JY-400/65	LGJ-400/65	48	22	760	250	29.5	11.0	130	2.73
JY-400/95	LGJ-400/95	48	26	830	300	31.0	13.2	160	3.07
JY-500/35	LGJ-500/35	52	16	740	180	31.5	8.2	110	2.36
JY-500/45	LGJ-500/45	52	18	760	200	31.5	9.1	120	3.12
JY-500/65	LGJ-500/65	52	22	820	250	32.5	11.0	150	3.32
JY-630/45	LGJ-630/45	60	18	840	200	35.5	9.1	140	4.45
JY-630/55	LGJ-630/55	60	20	880	230	36.5	10.3	155	4.67
JY-630/80	LGJ-630/80	60	24	940	280	36.5	12.3	180	5.25

The outer sleeve is made of aluminum, the inner sleeve is made of hot-dip galvanized steel.

## Splicing Sleeve for ACSR Conductor (hydraulic overlap joint)





## ZHENGZHOU ORIENT POWER CO., LTD

1626, No.9, Sanquan Road, Zhengzhou, Henan, 450000 P.R.China

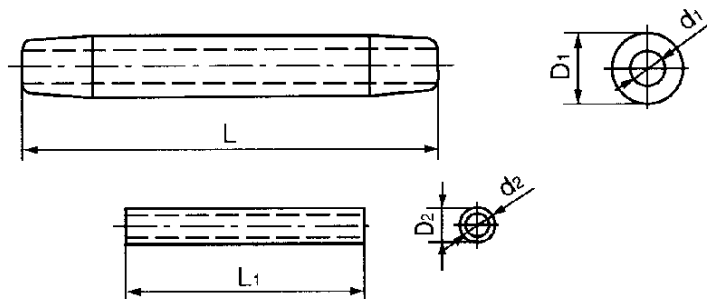
Tel/Fax:+86 37186097078, sales direct: +86 13673997131

orient@powerinsulator.com http://www.powerinsulator.com

Catalog No.	Suitable Conductor	Dimensions(mm)						Slip Strength (KN)	Weight (Kg)
		D <sub>1</sub>	D <sub>2</sub>	L <sub>1</sub>	L <sub>2</sub>	d <sub>1</sub>	d <sub>2</sub>		
JYD-240/30	LGJ-240/30	36	20	440	80	23.0	12.0	72	0.86
JYD-240/40	LGJ-240/40	36	20	440	80	23.0	13.0	79	0.86
JYD-240/55	LGJ-240/55	36	22	460	100	24.0	16.0	97	0.88
JYD-300/15	LGJ-300/15	40	18	470	50	24.5	8.4	65	1.10
JYD-300/20	LGJ-300/20	40	18	480	60	25.0	9.8	72	1.15
JYD-300/25	LGJ-300/25	40	20	480	70	25.5	11.2	79	1.15
JYD-300/40	LGJ-300/40	40	20	480	80	25.5	13.3	88	1.20
JYD-300/50	LGJ-300/50	40	22	490	100	26.0	15.0	98	1.20
JYD-300/70	LGJ-300/70	42	24	510	110	27.0	18.0	122	1.37
JYD-400/20	LGJ-400/20	45	18	550	60	28.5	9.8	84	1.52
JYD-400/25	LGJ-400/25	45	20	550	70	28.5	11.2	91	1.55
JYD-400/35	LGJ-400/35	45	22	540	80	28.5	13.0	99	1.56
JYD-400/50	LGJ-400/50	45	24	550	100	29.5	15.4	117	1.61
JYD-400/65	LGJ-400/65	48	26	560	110	29.5	17.2	129	1.96
JYD-500/35	LGJ-500/35	52	22	610	80	31.5	13.0	114	2.36
JYD-500/45	LGJ-500/45	52	24	610	90	31.5	14.0	122	2.41
JYD-500/65	LGJ-500/65	52	26	610	110	32.5	17.2	146	2.50
JYD-630/45	LGJ-630/45	60	24	680	90	35.5	14.0	141	3.71
JYD-630/55	LGJ-630/55	60	26	680	100	36.0	16.0	156	3.80

The outer sleeve is made of aluminum, the inner sleeve is made of hot-dip galvanized steel.

### Splicing Sleeve for ACSR Conductor





# ZHENGZHOU ORIENT POWER CO., LTD

1626, No.9, Sanquan Road, Zhengzhou, Henan, 450000 P.R.China

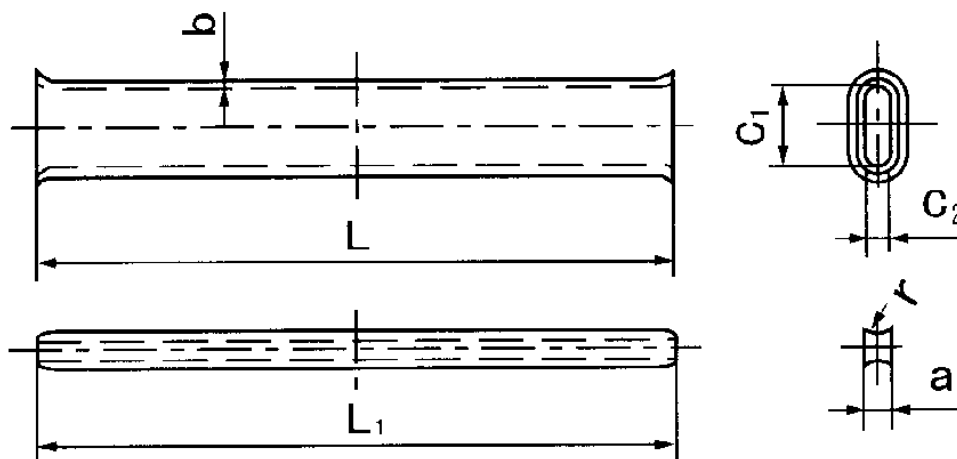
Tel/Fax:+86 37186097078, sales direct: +86 13673997131

orient@powerinsulator.com http://www.powerinsulator.com

Catalog No.	Suitable Conductor, Code	Dimensions(mm)						Slip Strength (KN)	Weight (Kg)
		D <sub>1</sub>	d <sub>1</sub>	L	D <sub>2</sub>	d <sub>2</sub>	L <sub>1</sub>		
JY-170	LINNET	32	19.5	570	16	7.2	170	60.20	1.35
JY-183	LYNX	32	20.9	590	18	8.9	190	75.71	1.47
JY-240	HAWK	36	23.3	590	18	8.5	190	82.48	1.46
JY-241	HEW	36	23.9	640	20	10.2	230	99.44	1.65
JY-248	LARK	36	21.9	600	20	9.3	210	85.93	1.55
JY-264	BEAR	40	25.1	680	22	10.7	230	105.83	1.91
JY-282	DOVE	40	25.1	660	18	9.2	210	100.64	2.00
JY-306	SQUAB	40	26.2	660	20	9.6	210	102.98	1.91
JY-322	GROSBEAK	40	26.9	680	22	9.9	220	107.17	2.00
JY-376	TEAL	45	27.0	760	22	11.5	260	126.75	2.81
JY-402	CONOOR	45	29.7	730	20	9.8	220	119.29	2.58
JY-428	ZEBRA	48	30.5	740	20	10.1	230	125.31	2.96
JY-445	REDWINE	48	29.3	810	24	12.5	280	146.32	3.28
JY-468	ORAKE	48	30.0	760	22	11.0	250	132.52	2.85
JY-483	RALL	48	30.9	830	26	13.2	300	163.00	3.17
JY-494	MALLARD	48	31.6	740	18	7.9	180	109.60	2.25
JY-546	CAROINAL	52	32.5	820	22	10.8	250	143.52	3.45
JY-564	BLUEJAY	52	34.1	760	18	8.5	200	126.75	3.25
JY-604	GRACKCE	60	36.3	940	24	12.1	280	178.93	5.25

The outer sleeve is made of aluminum, the inner sleeve is made of hot-dip galvanized steel.

## Splicing Sleeve for ACSR Conductor (compression with pliers)





# ZHENGZHOU ORIENT POWER CO., LTD

1626, No.9, Sanquan Road, Zhengzhou, Henan, 450000 P.R.China

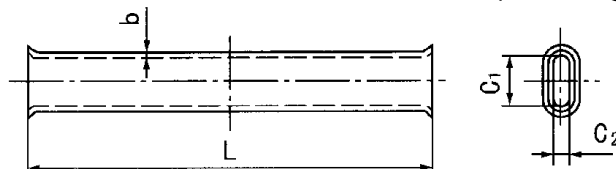
Tel/Fax:+86 37186097078, sales direct: +86 13673997131

orient@powerinsulator.com http://www.powerinsulator.com

Catalog No.	Suitable Conductor	Dimensions(mm)							Slip Strength (KN)	Weight (Kg)
		a	b	C <sub>1</sub>	C <sub>2</sub>	r	L	L <sub>1</sub>		
JT-10/2	LGJ-10/2	4.0	1.7	11.0	5.0	...	170	180	3.9	0.05
JT-16/3	LGJ-16/3	5.0	1.7	14.0	6.0	...	210	220	5.8	0.07
JT-25/4	LGJ-25/4	6.5	1.7	16.6	7.8	...	270	280	8.8	0.08
JT-35/6	LGJ-35/6	8.0	2.1	18.6	8.8	12.0	340	350	12.0	0.17
JT-50/8	LGJ-50/8	9.5	2.3	22.0	10.5	13.0	420	430	16.0	0.23
JT-70/10	LGJ-70/10	11.5	2.6	26.0	12.5	14.0	500	510	22.0	0.34
JT-95/15	LGJ-95/15	14.0	2.6	31.0	15.0	15.0	690	700	33.0	0.52
JT-95/20	LGJ-95/20	14.0	2.6	31.5	15.2	15.0	690	700	35.0	0.55
JT-120/7	LGJ-120/7	15.0	3.1	33.0	16.0	15.0	910	920	26.0	0.60
JT-120/20	LGJ-120/20	15.5	3.1	35.0	17.0	15.0	910	920	39.0	0.91
JT-150/8	LGJ-150/8	16.0	3.1	36.0	17.5	17.5	940	950	31.0	1.05
JT-150/20	LGJ-150/20	17.0	3.1	37.0	18.0	17.5	940	950	44.0	1.10
JT-150/25	LGJ-150/25	17.5	3.1	39.0	19.0	17.5	940	950	51.0	1.15
JT-185/10	LGJ-185/10	18.0	3.4	40.0	19.5	18.5	1040	1060	39.0	1.40
JT-185/25	LGJ-185/25	19.5	3.4	43.0	21.0	18.0	1040	1060	56.0	1.42
JT-185/30	LGJ-185/30	19.5	3.4	43.0	21.0	18.0	1040	1060	61.0	1.50
JT-210/10	LGJ-210/10	20.0	3.6	43.0	21.0	19.5	1070	1090	43.0	1.52
JT-210/25	LGJ-210/25	20.0	3.6	44.0	21.5	19.5	1070	1090	63.0	1.58
JT-210/35	LGJ-210/35	20.5	3.6	45.0	22.0	19.5	1070	1090	71.0	1.62
JT-240/30	LGJ-240/30	22.0	3.9	48.0	23.5	20.0	540	550	72.0	1.00
JT-240/40	LGJ-240/40	22.0	3.9	48.0	23.5	20.0	540	550	79.0	1.00

Made of aluminum.

## Splicing Sleeve for Aluminum Conductor (twisting type)



Catalog No.	Suitable Conductor, dia.	Dimensions(mm)				Slip Strength (KN)	Weight (Kg)
		b	C <sub>1</sub>	C <sub>2</sub>	L		
JTJ-21L	L-5.98	1.7	14.41	7.54	279	3.94	0.06
JTJ-34L	L-7.42	1.7	17.05	9.02	356	5.36	0.09
JTJ-54L	L-9.35	1.7	21.69	11.15	457	7.89	0.14
JTJ-67L	L-10.52	1.7	23.55	12.26	508	9.94	0.17
JTJ-85L	L-11.79	1.7	26.57	13.49	559	12.04	0.19



## ZHENGZHOU ORIENT POWER CO., LTD

1626, No.9, Sanquan Road, Zhengzhou, Henan, 450000 P.R.China

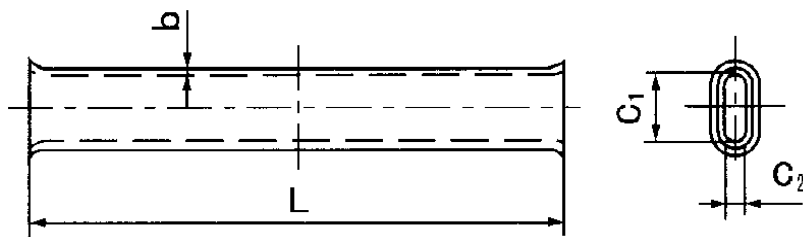
Tel/Fax:+86 37186097078, sales direct: +86 13673997131

orient@powerinsulator.com http://www.powerinsulator.com

JTJ-107L	L-13.26	1.7	29.31	15.24	610	15.19	0.23
JTJ-135L	L-14.88	1.7	32.87	16.69	686	19.15	0.29
JTJ-170L	L-16.92	2.1	36.20	18.49	737	25.13	0.50
JTJ-202L	L-18.39	2.1	40.03	20.72	864	29.11	0.68
JTJ-241L	L-20.14	2.6	43.00	21.79	940	34.23	0.79
JTJ-282L	L-21.74	2.6	46.51	23.37	1010	239.94	1.00
JTJ-322L	L-23.32	2.6	49.61	25.20	1090	47.56	1.07

Made of aluminum.

### Splicing Sleeve for ACSR Conductor (twisting type)

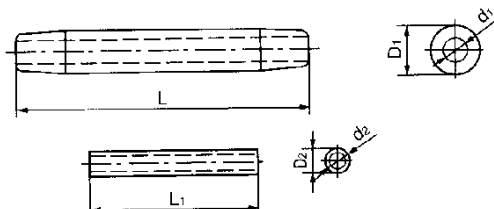


Catalog No.	Suitable Conductor, dia.	Dimensions(mm)				Slip Strength (KN)	Weight (Kg)
		b	C <sub>1</sub>	C <sub>2</sub>	L		
JTJ-13/2	LJ-5.03	1.7	12.9	6.8	250	4.95	0.1
JTJ-13/3	LJ-5.66	1.7	14.4	7.5	275	6.18	0.12
JTJ-24/4	LJ-6.35	1.7	15.8	8.3	305	7.74	0.13
JTJ-27/4	LJ-7.14	1.7	17.2	9.1	356	9.52	0.16
JTJ-34/6	LJ-8.03	1.7	19.3	9.9	381	11.80	0.20
JTJ-54/7	LJ-9.02	1.7	21.2	11.0	432	14.91	0.24
JTJ-54/14	LJ-9.32	1.7	21.7	11.2	457	22.00	0.27
JTJ-54/9	LJ-10.11	1.7	23.1	11.9	483	18.11	0.28
JTJ-67/11	LJ-11.35	1.7	25.4	13.3	533	22.61	0.35
JTJ-85/11	LJ-12.76	1.7	28.4	14.7	584	28.24	0.41
JTJ-107/18	LJ-14.30	1.7	31.9	16.3	660	35.63	0.55

Made of aluminum.

### Splicing Sleeve for ACSR/AS Conductor

(hydraulic overlap joint)





# ZHENGZHOU ORIENT POWER CO., LTD

1626, No.9, Sanquan Road, Zhengzhou, Henan, 450000 P.R.China

Tel/Fax:+86 37186097078, sales direct: +86 13673997131

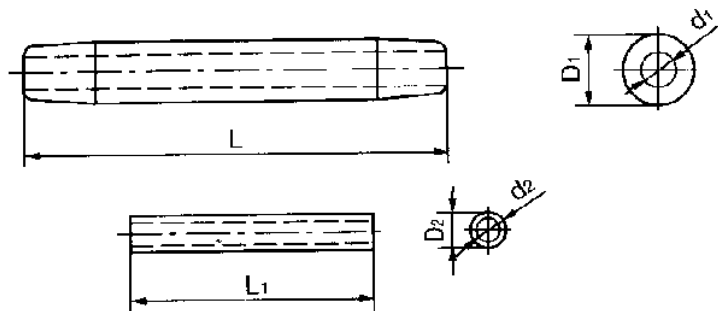
orient@powerinsulator.com <http://www.powerinsulator.com>

Catalog No.	Suitable Conductor	Dimensions(mm)						Slip Strength (KN)	Weight (Kg)
		D <sub>1</sub>	D <sub>2</sub>	L	L <sub>1</sub>	d <sub>1</sub>	d <sub>2</sub>		
JYD-240/30BG	ACSR/AS-240/30	38	20	450	100	23.0	12.0	72	1.08
JYD-240/40BG	ACSR/AS-240/40	38	22	490	110	23.0	13.0	79	1.18
JYD-240/55BG	ACSR/AS-240/55	38	22	520	150	24.0	16.0	97	1.25
JYD-300/15BG	ACSR/AS-300/15	42	18	520	80	24.5	8.4	65	1.35
JYD-300/20BG	ACSR/AS-300/20	42	20	520	90	25.0	9.8	72	1.40
JYD-300/25BG	ACSR/AS-300/25	42	20	530	100	25.5	11.2	79	1.41
JYD-300/40BG	ACSR/AS-300/40	42	20	540	110	25.5	13.3	88	1.49
JYD-300/50BG	ACSR/AS-300/50	42	22	560	130	26.0	15.0	98	1.60
JYD-300/70BG	ACSR/AS-300/70	45	24	580	160	27.0	18.0	122	2.20
JYD-400/20BG	ACSR/AS-400/20	48	20	580	90	28.5	9.8	84	2.00
JYD-400/25BG	ACSR/AS-400/25	48	20	590	100	28.5	11.2	91	2.05
JYD-400/35BG	ACSR/AS-400/35	48	22	590	100	28.5	13.0	99	2.15
JYD-400/50BG	ACSR/AS-400/50	48	24	600	130	29.5	15.4	117	2.20
JYD-400/65BG	ACSR/AS-400/65	52	26	620	150	29.5	17.2	129	2.70

The outer sleeve is made of aluminum, the inner sleeve is made of hot-dip galvanized steel

## Splicing Sleeve for ACSR/AS Conductor

(hydraulic overlap joint)





# ZHENGZHOU ORIENT POWER CO., LTD

1626, No.9, Sanquan Road, Zhengzhou, Henan, 450000 P.R.China

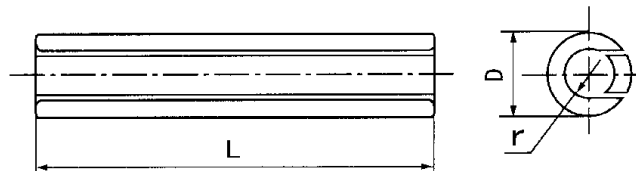
Tel/Fax:+86 37186097078, sales direct: +86 13673997131

orient@powerinsulator.com http://www.powerinsulator.com

Catalog No.	Suitable Conductor	Dimensions(mm)						Slip Strength (KN)	Weight (Kg)
		D <sub>1</sub>	D <sub>2</sub>	L	L <sub>1</sub>	d <sub>1</sub>	d <sub>2</sub>		
JY-240/30BG	ACSR/AS-240/30	38	20	560	200	23.0	7.9	72	1.35
JY-240/40BG	ACSR/AS-240/40	38	22	610	220	23.0	8.7	79	1.40
JY-240/55BG	ACSR/AS-240/55	38	22	680	300	24.0	10.2	97	1.50
JY-300/15BG	ACSR/AS-300/15	42	18	610	160	24.5	5.4	65	1.60
JY-300/20BG	ACSR/AS-300/20	42	20	620	180	25.0	6.3	72	1.70
JY-300/25BG	ACSR/AS-300/25	42	20	640	200	25.5	7.1	79	1.75
JY-300/40BG	ACSR/AS-300/40	42	20	660	220	25.5	8.5	88	1.80
JY-300/50BG	ACSR/AS-300/50	42	22	700	260	26.0	9.5	98	1.90
JY-300/70BG	ACSR/AS-300/70	45	24	750	320	27.0	11.5	122	2.20
JY-400/20BG	ACSR/AS-400/20	48	20	680	180	28.5	6.3	84	2.10
JY-400/25BG	ACSR/AS-400/25	48	20	700	200	28.5	7.1	91	2.20
JY-400/35BG	ACSR/AS-400/35	48	22	700	200	28.5	8.0	99	2.45
JY-400/50BG	ACSR/AS-400/50	48	24	740	260	29.5	9.5	117	2.60
JY-400/65BG	ACSR/AS-400/65	52	26	780	300	29.5	11.0	129	2.80

The outer sleeve is made of aluminum, the inner sleeve is made of hot-dip galvanized steel

## Repair Sleeve for ACSR, AAC, AAAC Conductor



Catalog No.	Suitable Conductor, dia.	Dimensions(mm)			Weight (Kg)
		D	L	r	
JX-95/55	15.70-16.79	32	150	9.0	0.25
JX-185/10	17.01-18.09	32	150	10.0	0.20
JX-185	18.10-19.60	32	150	10.5	0.20
JX-210	20.00-20.90	34	200	11.0	0.29
JX-240	21.00-22.50	36	200	12.0	0.33
JX-240/55	22.60-23.00	40	200	12.5	0.31
JX-300/15	23.01-24.00	40	250	13.0	0.52
JX-300	24.10-25.10	42	250	13.5	0.51
JX-300/70	25.20-26.50	45	300	14.5	0.55
JX-400	26.51-27.20	45	300	14.5	0.75
JX-400/50	27.21-27.90	48	300	15.0	0.90



## ZHENGZHOU ORIENT POWER CO., LTD

1626, No.9, Sanquan Road, Zhengzhou, Henan, 450000 P.R.China

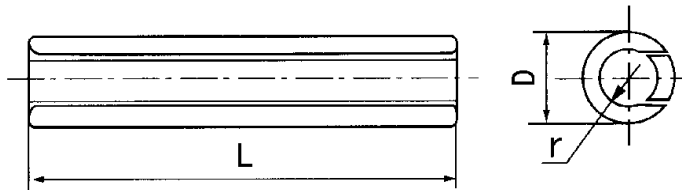
Tel/Fax:+86 37186097078, sales direct: +86 13673997131

orient@powerinsulator.com http://www.powerinsulator.com

JX-400/65	27.91-29.00	48	300	15.5	0.90
JX-400/95	29.10-29.90	52	300	16.0	0.85
JX-500	29.91-31.00	52	300	18.0	1.07
JX-630	31.01-34.90	60	350	18.0	1.70
JX-800/55	35.01-38.60	65	350	20.0	1.9
JX-800	36.61-39.00	65	350	20.5	1.9

Made of aluminum.

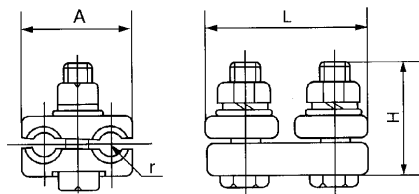
### Repair Sleeve for Steel Wire



Catalog No.	Suitable Steel Wire, mm <sup>2</sup>	Dimensions(mm)			Weight (Kg)
		D	L	r	
JX-35G	GJ-35	16	120	4.2	0.11
JX-50G	GJ-50	18	120	4.8	0.14
JX-70G	GJ-70	22	140	5.8	0.25
JX-80G	GJ-80	24	140	6.2	0.40
JX-100G	GJ-100	26	140	7.0	0.41
JX-150G	GJ-150	32	200	8.4	0.90

Made of hot-dip galvanized steel.

### Parallel Groove Clamp



Catalog No.	Conductor Area (mm <sup>2</sup> )	Dimensions(mm)				Weight (Kg)
		A	L	r	H	
JB-0	16~25	38	72	3.5	42	0.2
JB-1	35~50	46	80	5.0	53	0.4
JB-2	70~95	54	114	7.0	65	0.7
JB-3	120~150	64	140	8.5	70	1.1
JB-4	185~240	72	144	11.0	75	1.3
JB-5	300~400	100	215	15.0	100	3.9
JB-6	500~600	110	230	18.0	120	5.1

The body and keepers are made of aluminum alloy, other parts are made of hot-dip galvanized steel.



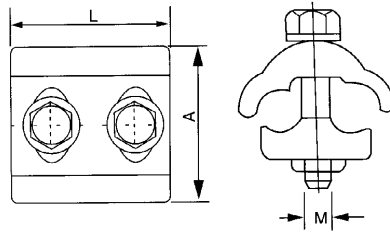
# ZHENGZHOU ORIENT POWER CO., LTD

1626, No.9, Sanquan Road, Zhengzhou, Henan, 450000 P.R.China

Tel/Fax:+86 37186097078, sales direct: +86 13673997131

orient@powerinsulator.com http://www.powerinsulator.com

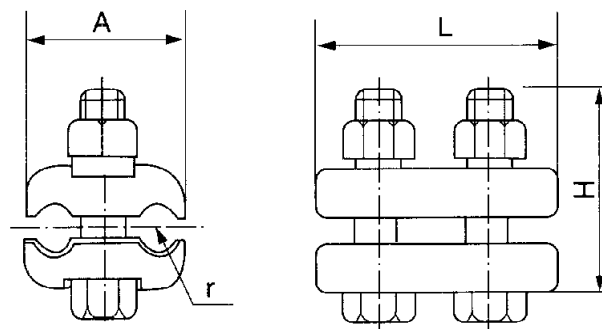
## Parallel Groove Clamp



Catalog No.	Suitable Conductor, dia. (mm)		Dimensions(mm)			Weight (Kg)
	Run	Tap	L	A	M	
JBL-11	6.8~11.5	6.8~11.5	60	45	10	0.25
JBL-22	10.1~15.3	11.1~15.3	80	52	10	0.32
JBL-33	15.6~20.1	15.6~20.1	110	66	12	0.62
JBL-44	19.0~24.0	19~24.0	120	76	16	0.82
JBL-55	23.0~29.0	23.0~29.0	140	86	16	1.10
JBL-12	10.1~15.3	6.8~11.5	80	50	10	0.30
JBL-23	15.6~20.1	10.1~15.3	110	58	12	0.60
JBL-34	19.0~24.0	15.6~20.1	120	72	16	0.75
JBL-45	23~29.0	19.0~24.0	140	86	16	1.0
JBL-24	19.0~24.0	10.1~15.3	120	66	16	0.70
JBL-35	23.0~29.0	15.6~20.1	140	85	16	0.90

The body and keepers are made of aluminum alloy, other parts are made of hot-dip galvanized steel.

## Parallel Groove Clamp for Steel Wire



Catalog No.	Steel Wire Area (mm <sup>2</sup> )	Dimensions (mm)				Weight (Kg)
		A	L	r	H	
JBB-1	25~35	44	90	4.5	48	0.7
JBB-2	50~70	50	90	6.0	60	1.0
JBB-3	100~120	56	124	7.0	65	1.9

The body and keeper are malleable iron, hot-dip galvanized.



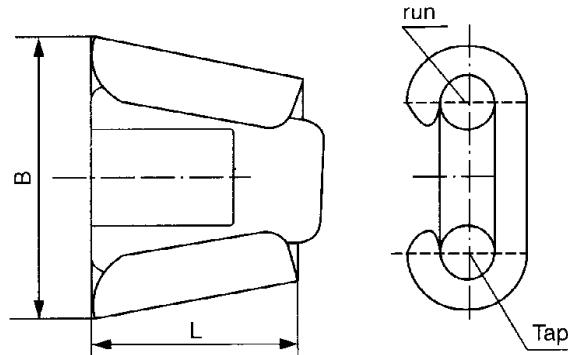
# ZHENGZHOU ORIENT POWER CO., LTD

1626, No.9, Sanquan Road, Zhengzhou, Henan, 450000 P.R.China

Tel/Fax:+86 37186097078, sales direct: +86 13673997131

orient@powerinsulator.com <http://www.powerinsulator.com>

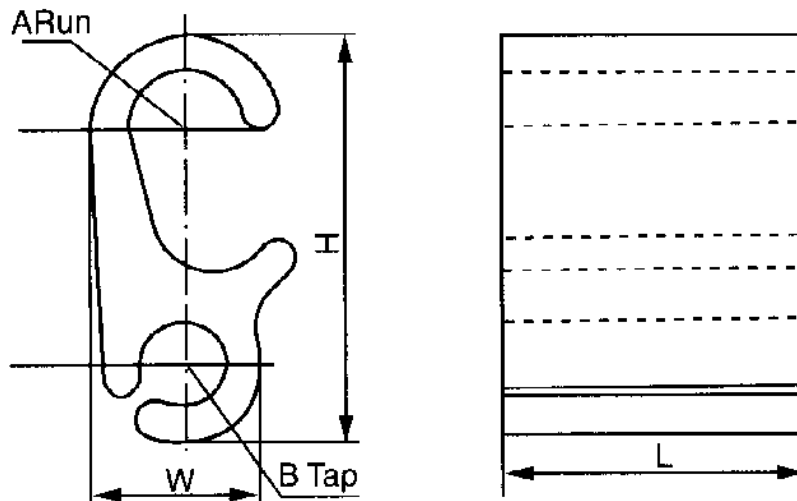
## Wedge Parallel Groove Clamp (ejection type)



Catalog No.	Conductor, dia. (mm)		Dimensions (mm)		Weight (Kg)
	Run	Tap	L	B	
JBX-70/25	10.5~11.5	6.4~7.4	42	64	0.21
JBX-120/25	15.0~16.0	6.4~7.4	42	64	0.19
JBX-70/70	10.5~11.5	10.5~11.5	42	64	0.20
JBX-120/70	15.0~16.0	10.5~11.5	42	64	0.18
JBX-150/70	16.2~17.2	10.5~11.5	42	64	0.22
JBX-120/120	15.0~16.0	15.0~16.6	42	64	0.17
JBX-150/120	16.2~17.2	15.0~16.0	50	70	0.20
JBX-150/50	16.2~17.2	9.5~10.5	50	70	0.24

The body and tongue are made of forged aluminum alloy.

## S-Parallel Groove Clamp (compression type)





## ZHENGZHOU ORIENT POWER CO., LTD

1626, No.9, Sanquan Road, Zhengzhou, Henan, 450000 P.R.China

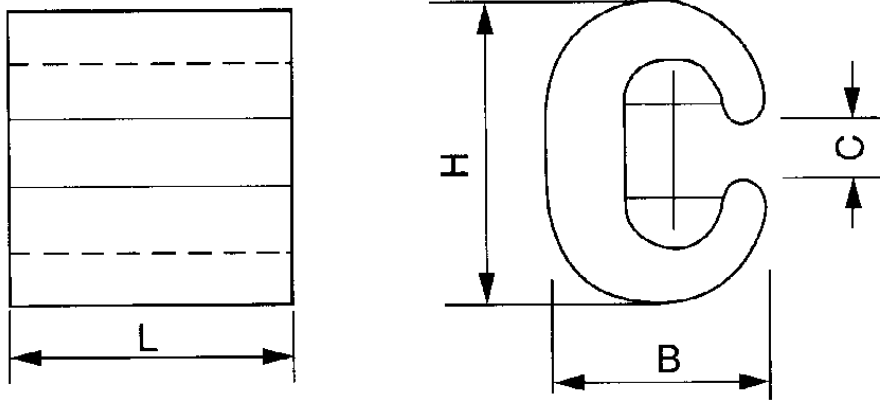
Tel/Fax:+86 37186097078, sales direct: +86 13673997131

orient@powerinsulator.com http://www.powerinsulator.com

Catalog No.	Run A(mm)	Tap B(mm)	Dimensions (mm)			Weight (Kg)
			H	L	W	
JBS-12	10.0~12.0	7.0~8.3	44	40	24	0.1
JBS-23	12.1~14.1	10.0~12.0	48	40	24	0.2
JBS-34	14.2~17.4	12.1~14.1	70	55	30	0.3
JBS-45	17.5~20.1	14.2~17.4	98	60	32	0.5

Material: aluminum for use on AAC,ACSR conductors.

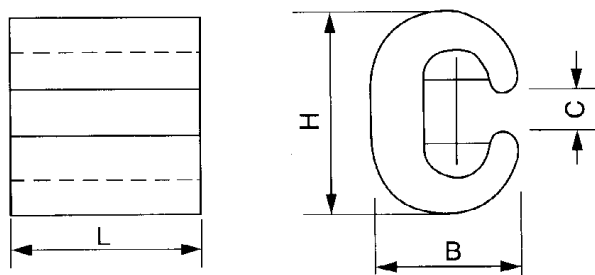
### C-Shape Copper Wire Clamp (compression type)



Catalog No.	Suitable Conductor		Dimensions (mm)				Weight (Kg)
	Run	Tap	H	B	L	C	
JCT-1	5.03~6.35	4.65~6.35	25	15	20	10	0.06
JCT-2	5.89~8.13	5.03~8.13	29	17	22	12	0.12
JCT-3	8.15~10.52	6.35~10.52	35	19	25	14	0.14
JCT-4	10.54~13.25	8.13~13.25	40	21	30	16	0.16

Material: copper, suitable for the connection of copper stranded wire.

### C-Shape Aluminum Wire Clamp (compression type)





# ZHENGZHOU ORIENT POWER CO., LTD

1626, No.9, Sanquan Road, Zhengzhou, Henan, 450000 P.R.China

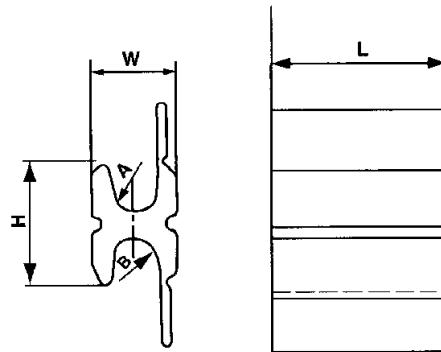
Tel/Fax:+86 37186097078, sales direct: +86 13673997131

orient@powerinsulator.com http://www.powerinsulator.com

Catalog No.	Suitable Conductor		Dimensions (mm)				Weight (Kg)
	Run	Tap	H	B	L	C	
JCT-1	5.03~6.35	4.65~6.35	36	17	32	16	0.03
JCT-2	5.89~8.13	5.03~8.13	34	20	38	12	0.04
JCT-3	8.15~10.52	6.35~10.52	38	23	45	14	0.05
JCT-4	10.54~13.25	8.13~13.25	46	28	55	16	0.07
JCT-5	13.30~15.06	10.52~15.06	53	30	64	18	0.09
JCT-6	15.01~16.91	13.25~16.91	58	32	70	20	0.11
JCT-7	17.00~18.80	15.06~18.80	64	35	76	22	0.13

Material: aluminum for use on AAC,ACSR conductors.

## H-Parallel Groove Clamp (compression type)



Catalog No.	Suitable Conductor		Dimensions (mm)			Weight (Kg)
	A Run	B Tap	H	L	W	
JH-11	6.8~10.5	6.8~10.5	28	38	18	0.05
JH-22	10.1~14.3	10.1~14.36	33	44	18	0.07
JH-33	14.6~18.1	14.6~18.1	52	89	32	0.39
JH-44	18.5~22.7	18.5~22.7	77	117	44	0.96
JH-55	22.5~28.1	22.5~28.1	80	130	48	1.20
JH-12	10.5~14.0	36.8~10.5	32	44	18	0.06
JH-23	14.9~08.1	10.1~14.3	52	89	32	0.36
JH-34	18.5~22.7	14.6~18.1	77	117	44	0.96
JH-45	22.5~28.1	18.5~22.7	80	130	48	1.20
JH-24	18.5~22.7S	10.1~14.3	77	117	44	1.05

Material: aluminum for use on AAC,ACSR conductors.