



ZHENGZHOU ORIENT POWER CO., LTD

1626, No.9, Sanquan Road, Zhengzhou, Henan, 450000 P.R.China

Tel/Fax:+86 37186097078, sales direct: +86 13673997131

orient@powerinsulator.com http://www.powerinsulator.com

POWER FITTINGS

Guy Wire Fittings:

Guy wire fittings: are used to connect guy wire of tower, mostly dead end tower and angle tower.

It includes:

wedge clamp

guy clip

guy grip dead end clamp

stay rod

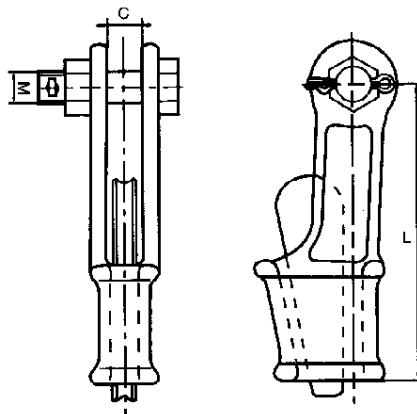
eye nut

eye bolt

linking and adjustable fitting



Wedge Clamp



Catalog No.	Steel Wire Dia. (mm)	Dimensions (mm)			Rated Failure load (kN)	Weight (kg)
		C	M	L		
NX-1	6.6-7.8	18	16	150	45	1.2
NX-2	9.0-11.0	20	18	180	88	1.8

The body and wedge are made of malleable iron. The cotter pin is made of stainless steel. Other parts are made of steel. All ferrous parts are hot-dip galvanized.



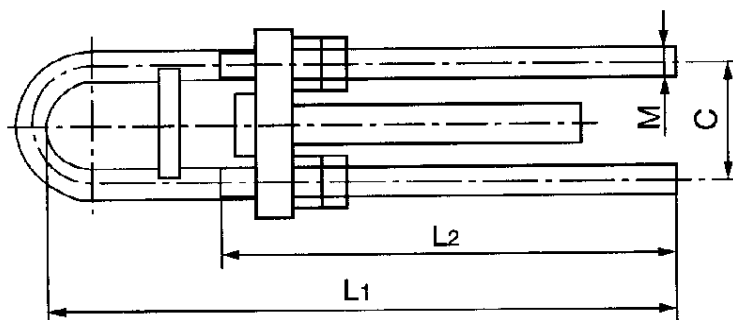
ZHENGZHOU ORIENT POWER CO., LTD

1626, No.9, Sanquan Road, Zhengzhou, Henan, 450000 P.R.China

Tel/Fax:+86 37186097078, sales direct: +86 13673997131

orient@powerinsulator.com http://www.powerinsulator.com

Strain Clamp of Compression Joint (adjustable type)



Catalog No.	Suitable Steel Wire	Dimensions (mm)				Rated Failure Load (kN)	Weight (kg)
		C	M	L ₁	L ₂		
NLY-50	1 x 7 - 9.0 - 140 - GB1200 - 75	72	18	320	230	67.5	3.4
NLY-120	1 x 19 - 14.0 - 155 - GB1200 - 75	94	24	580	400	196.5	7.9
NLY-135	1 x 19 - 15.0 - 155 - GB1200 - 75	94	24	580	400	196.5	8.4
NLY-150	1 x 19 - 16.0 - 155 - GB1200 - 75	104	24	580	400	245.0	12.2
NLY-165	1 x 37 - 16.8 - 155 - GB1200 - 75	104	27	588	400	255.0	12.5
NLY-180	1 x 37 - 17.5 - 155 - GB1200 - 75	114	30	640	450	300.0	13.6
NLY-195	1 x 37 - 18.2 - 155 - GB1200 - 75	114	30	640	460	300.0	14.5
NLY-265	1 x 37 - 21.0 - 1570 - GB1200 - 75	128	36	670	440	367.0	26.6
NLY-100E	1 x 19 - 13.0 - 1570 - GB1200 - 88	84	22	490	300	151.0	6.3
NLY-125E	1 x 19 - 14.5 - 1570 - GB1200 - 88	94	24	580	380	188.0	9.1
NLY-150E	1 x 19 - 16.0 - 1570 - GB1200 - 88	104	27	610	400	228.0	12.0
NLY-180E	1 x 19 - 17.5 - 1570 - GB1200 - 88	114	30	640	420	273.0	15.6
NLY-240E	1 x 19 - 20.0 - 1570 - GB1200 - 88	128	36	670	440	357.0	22.6

Made of hot-dip galvanized steel. Tnti-steel equipment can be supplied if needed.



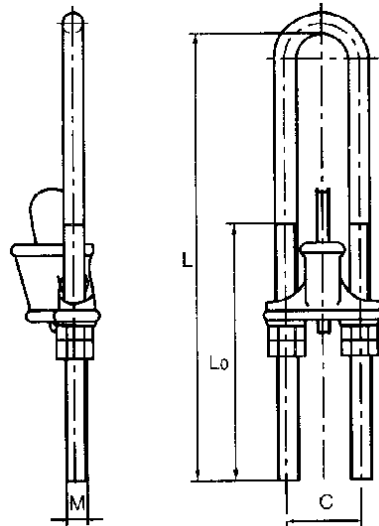
ZHENGZHOU ORIENT POWER CO., LTD

1626, No.9, Sanquan Road, Zhengzhou, Henan, 450000 P.R.China

Tel/Fax:+86 37186097078, sales direct: +86 13673997131

orient@powerinsulator.com <http://www.powerinsulator.com>

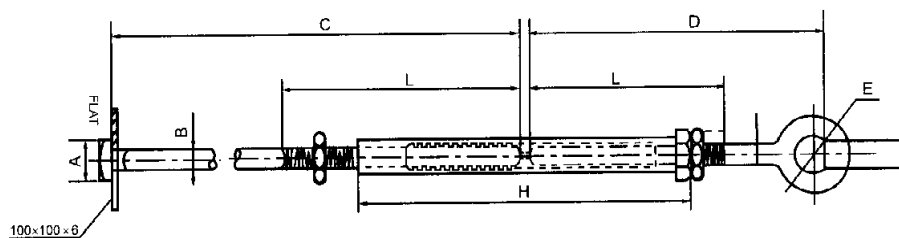
UT Wedge Clamp (adjustable type)



Catalog No.	Steel Wire Dia. (mm)	Dimensions (mm)				Rated Failure Load (kN)	Weight (kg)
		M	L	L ₀	C		
NUT-1	6.6-7.8	16	350	200	56	45	2.1
NUT-2	9.0-11.0	18	430	250	62	88	3.2
NUT-3	13.0-14.0	22	500	300	74	143	5.4
NUT-4	15.0-16.0	24	580	350	82	164	7.2

The body and wedge are made of malleable iron, other parts are made of steel. All ferrous parts are hot-dip galvanized. Tnti-steel equipment can be supplied if needed.

Turnbuckle Stay Rod



Catalog No.	Dimensions (mm)							U.T.S. (kN)	Weight (kg)
	A	B	C	D	E	H	L		
CH-16	30	16	2000	314	22	350	230	54	5.2
CH-18	35	18	2440	321	25	405	230	65	7.9
CH-22	35	20	2440	325	25	400	230	85	8.8
CH-24	40	22	2500	334	30	400	230	110	10.5

Made of hot-dip galvanized steel.



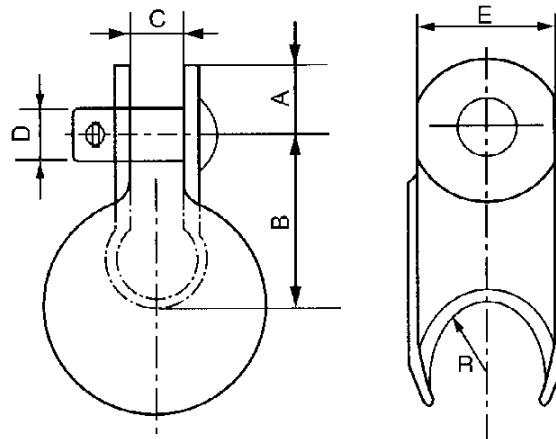
ZHENGZHOU ORIENT POWER CO., LTD

1626, No.9, Sanquan Road, Zhengzhou, Henan, 450000 P.R.China

Tel/Fax:+86 37186097078, sales direct: +86 13673997131

orient@powerinsulator.com http://www.powerinsulator.com

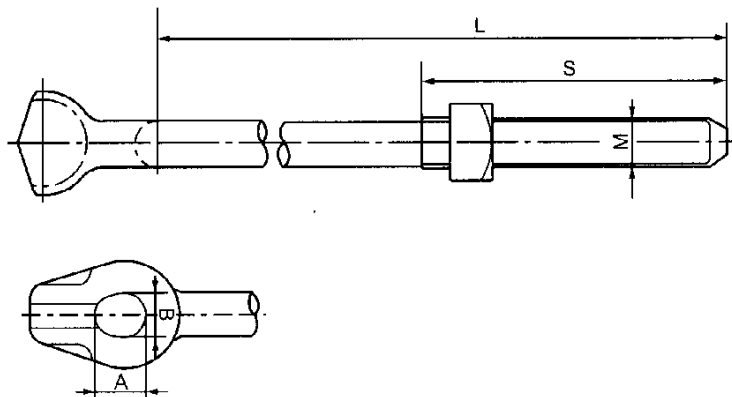
Thimble Clevis



Catalog No.	Dimensions (mm)						Weight (kg)
	A	B	C	D	E	R	
XG-7A	25	54	19	12	40	26	0.49
XG-7B	25	54	19	16	40	35	0.55

Made of hot-dip galvanized steel.

Anchor Rod



Catalog No.	Dimensions (mm)					U.T.S (kN)	Weight (kg)
	M	L	S	A	B		
XLZ-01B	16	203	102	17.5	14.3	56	0.35
XLZ-02B	16	254	102	17.5	14.3	56	0.40
XLZ-03B	16	305	152	17.5	14.3	56	0.50
XLZ-04B	20	254	102	20.6	17.5	60	0.90
XLZ-05B	20	305	152	20.6	17.5	60	0.95

Made of Drop forged steel, hot-dip galvanized steel.



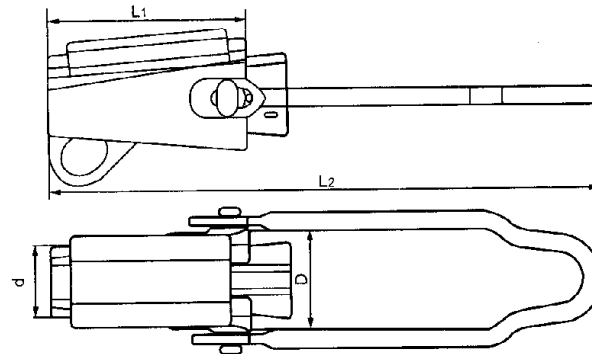
ZHENGZHOU ORIENT POWER CO., LTD

1626, No.9, Sanquan Road, Zhengzhou, Henan, 450000 P.R.China

Tel/Fax:+86 37186097078, sales direct: +86 13673997131

orient@powerinsulator.com <http://www.powerinsulator.com>

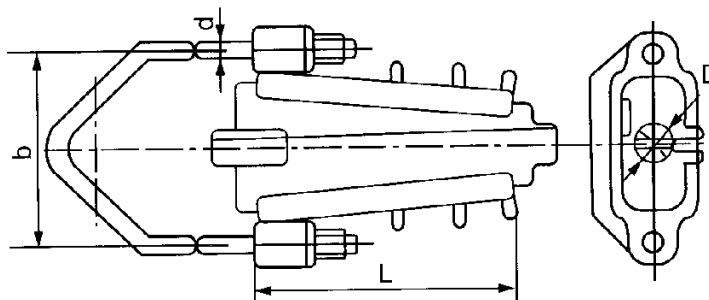
Wedge Type Dead End Clamp



Catalog No.	Suitable Conductor, mm ²	Dimensions (mm)				(N)	(N)	Weight (kg)
		L ₁	L ₂	D	D			
TW-50	LJ-50	130	366	58.12	50.00	5600	7011	0.65
TW-70	LJ-70	130	366	58.12	50.00	82800	10354	0.65
TW-95	LJ-95	130	366	58.12	50.00	10982	13727	0.65
TW-120	LJ-120	130	366	58.12	50.00	13900	17339	0.85
TW-150	LJ-150	130	366	58.12	50.00	16800	21033	0.85
TW-185	LJ-185	144	380	64.52	54.45	21400	26732	1.05
TW-240	LJ-240	144	380	64.52	54.45	27800	34679	10.5

Used for Aerial Bundled Cable (ABC)

Wedge Type Dead End Clamp



Catalog No.	Suitable Conductor, mm ²	Dimensions (mm)				Weight (kg)
		b	D	D	L	
NJX-1	JKLYJ-240	128	12	27	170	2.0
NJX-1	JKLYJ-185	128	12	27	170	2.0
NJX-2	JKLYJ-240	128	12	23	170	2.0
NJX-2	JKLYJ-120	128	12	23	170	2.0
NJX-3	JKLYJ-95	108	12	20	160	1.6
NJX-3	JKLYJ-70	108	12	20	160	1.6
NJX-3	JKLYJ-50	108	12	20	160	1.6