



# ZHENGZHOU ORIENT POWER CO., LTD

1626, No.9, Sanquan Road, Zhengzhou, Henan, 450000 P.R.China

Tel/Fax:+86 37186097078, sales direct: +86 13673997131

orient@powerinsulator.com <http://www.powerinsulator.com>

## POWER FITTINGS

### Grounding Fittings:

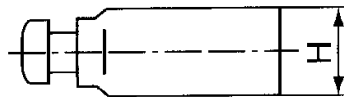
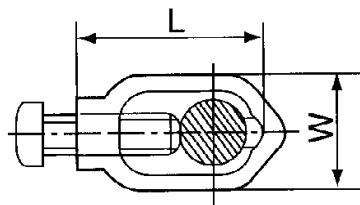
Grounding fittings: are used to connect with the ground to take away the electricity to the ground such as grounding clamp and grounding rod.

It includes:

- Grounding rod
- Grounding clamp
- Stay rod



### Grounding Clamp



Catalog No.	Dimensions (mm)			Weight (kg)	Coating
	L	W	H		
GDX-16	50	32	25	0.85	Hot-dip galvanized
GDX-16	50	32	25	0.85	Copper plated
GDX-16	42	27	25	0.20	Brassing

The body is made of malleable iron or brassing. The bolt is hot-dip galvanized steel or brassing.



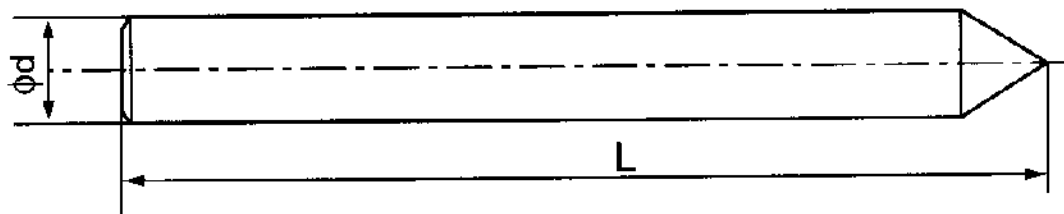
## ZHENGZHOU ORIENT POWER CO., LTD

1626, No.9, Sanquan Road, Zhengzhou, Henan, 450000 P.R.China

Tel/Fax:+86 37186097078, sales direct: +86 13673997131

orient@powerinsulator.com <http://www.powerinsulator.com>

### Grounding Rod



Catalog No.	Dimensions (mm)		Weight (kg)	Coating
	d	L		
JDX-1410	14	1000	1.2	Hot-dip Galvanized
JDX-1420	14	2000	2.4	
JDX-1610	16	1000	1.6	
JDX-1620	16	2000	3.2	
JDX-1630	16	3000	4.7	
JDT-1410	14	1000	1.2	Copper plated
JDT-1420	14	2000	2.4	
JDT-1610	16	1000	1.6	
JDT-1620	16	2000	3.2	
JDT-1630	16	3000	4.7	
JBT-1410	14	1000	1.25	Copper coated
JBT-1420	14	2000	2.5	
JBT-1610	16	1000	1.68	
JBT-1620	16	2000	3.36	
JBT-1630	16	3000	4.95	

The grounding rods are made in according to three coated ways. "JDX" type are made of hot-dip galvanized steel, "JDT" type are made of copper plated steel, "JBT" type are made of copper coated steel.



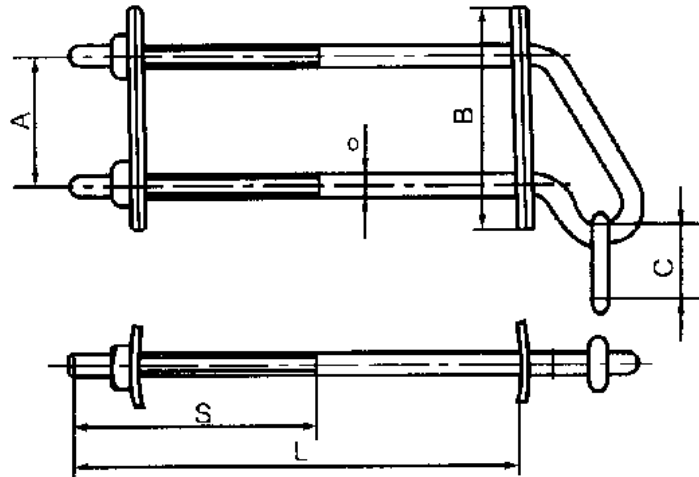
# ZHENGZHOU ORIENT POWER CO., LTD

1626, No.9, Sanquan Road, Zhengzhou, Henan, 450000 P.R.China

Tel/Fax:+86 37186097078, sales direct: +86 13673997131

orient@powerinsulator.com http://www.powerinsulator.com

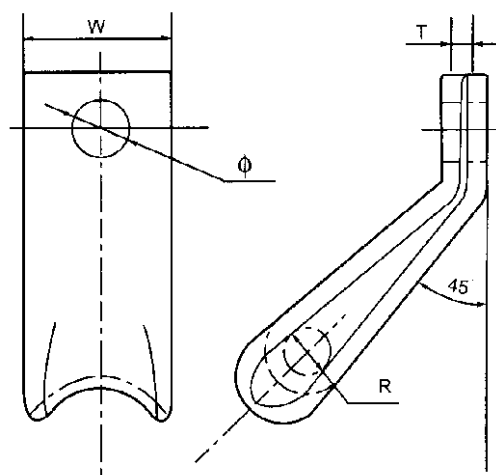
## Ground Wire Support



Catalog No.	Dimensions (mm)						Weight (kg)
	L	S	A	B	C	Φ	
DZ-01	292	127	102	178	57	16	2.8
DZ-02	343	191	102	178	57	16	2.9

Made of hot-dip galvanized steel.

## Guy Attachment



Catalog No.	Dimensions (mm)				Weight (kg)
	W	T	Φ	R(Min.)	
LX-11	40	6	17.5	6	0.50
LX-22	50	6	21.0	8	0.50

Made of hot-dip galvanized steel.



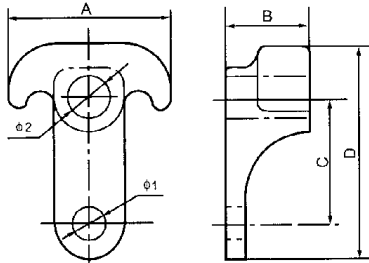
# ZHENGZHOU ORIENT POWER CO., LTD

1626, No.9, Sanquan Road, Zhengzhou, Henan, 450000 P.R.China

Tel/Fax:+86 37186097078, sales direct: +86 13673997131

orient@powerinsulator.com <http://www.powerinsulator.com>

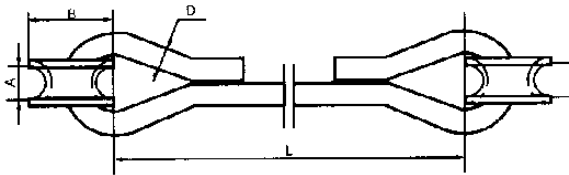
## Guy Attachment



Catalog No.	Dimensions (mm)						Weight (kg)
	A	B	C	d	$\Phi_1$	$\Phi_2$	
LX-01	80	40	62	105	12.7	22	0.70
LX-02	84	34	62	105	14.3	22	0.74

Made of hot-dip galvanized malleable iron.

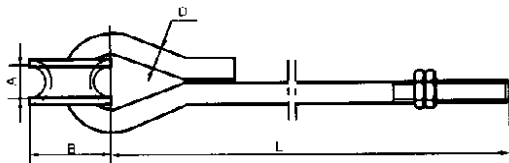
## Stay Rod



Catalog No.	Dimensions (mm)				Weight (kg)
	A	B	D	L	
LG-01	17.5	47	12	2800	3.80
LG-02	17.5	47	16	3200	6.70
LG-03	22.0	47	22	3800	13.60

Made of hot-dip galvanized steel.

## Eye Bolt With Thimble



Catalog No.	Dimensions (mm)				Weight (kg)
	A	B	D	L	
LG-11	17.5	47	16	1828	3.90
LG-12	22.0	51	20	2438	6.72
LG-13	22.0	65	20	3048	11.50

Made of hot-dip galvanized steel.



# ZHENGZHOU ORIENT POWER CO., LTD

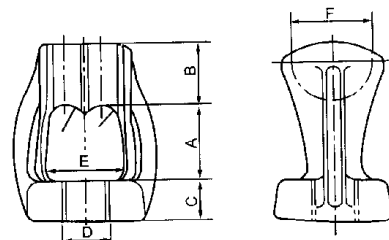
1626, No.9, Sanquan Road, Zhengzhou, Henan, 450000 P.R.China

Tel/Fax:+86 37186097078, sales direct: +86 13673997131

orient@powerinsulator.com <http://www.powerinsulator.com>

## Twin Eye Nut

Catalog No.	Dimensions (mm)						Weight (kg)
	A	B	C	D	E	F	
4005	32	25	17	16	32	35	0.70
4007	32	25	17	20	32	35	0.68



Made of hot-dip galvanized drop forged steel.

## Oval Eye Nut

Catalog No.	Dimensions (mm)						Weight (kg)
	A	B	C	D	E	F	
4015	67	44	19	16	13	29	0.25
4017	76	44	19	20	13	38	0.28

